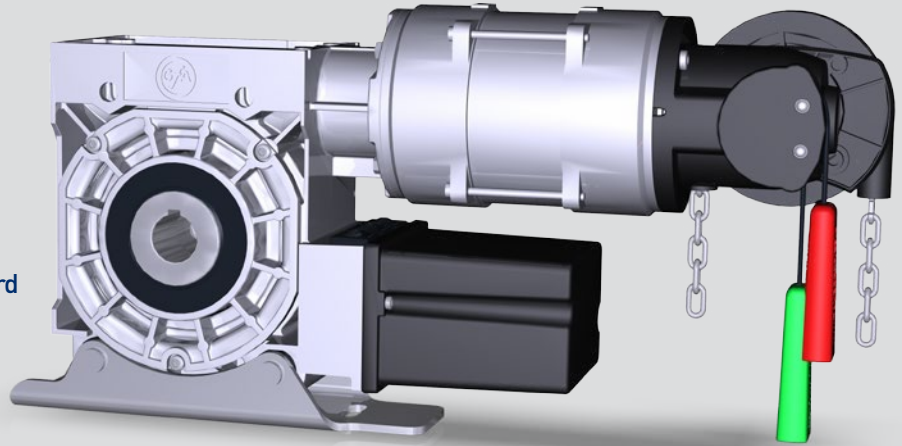


Safedrive®

Drive Systems for non counter-balanced Industrial Doors



- Models from 170Nm to 1800Nm
- High precision worm drive gearbox
- Range of output speeds and torques
- Horizontal or vertical mounting
- Safety brake incorporated
- Low level hand chain operation as standard
- Plug-connected control equipment
- Certified to BS EN 12453



Application

The Safedrive® is a specially developed drive unit for powering rolling shutter doors and grilles which are not counter-balanced by springs or other devices. All models in the range use a high precision worm gearbox to ensure smooth operation and a long life. Each gearbox incorporates a separate safety brake meeting the anti-fallback requirements for vertically lifting doors, a digital limit mechanism for precise control of the stopping position and is provided with plug in pre-wired control systems.

Simplifying on-site Installation

All Safedrives® may be installed with the motor axis either horizontal or vertical*. In particular, the hand chain operator is suitable for use in any plane to optimise installation space. The floating foot provided with all the models is suitable for use as the roller end bearing itself (except the 65/10 and 180/06 models) but it is recommended that the drives are normally installed so the roller is fitted between the bearings and the drive restrained by a torque arm. Full details available on request.

* Motor down



Reliability

The Safedrive® has the widest range of torques and speeds of any door drive on the market and in addition there is a whole range of special drives available including higher speeds and explosion proof models. Drives are designed, for a typical door size, to have a life of more than 30,000 cycles but this figure can be increased significantly for high usage applications by appropriate rating of drives. Consult our technical department for your particular application.

Construction Product Regulation CPR 305/2011

By using Safedrive® it enables the door manufacturer to meet the required Construction Product Regulation (CPR) and C.E. mark their doors.

Approvals & Certification

Using the Safedrive® manufacturers can construct power operated shutter doors and grilles to meet the British and European Standards for Industrial and Commercial Doors.

The Drive units are type tested to:

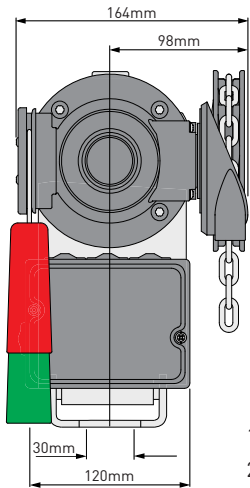
BS EN 12453
BS EN 60335-1
BS EN 60335-2-103
TÜV NORD CERT GmbH

Built in Safety Brake
Certificate of conformity according to:
BS EN 12604 / 12605
TÜV SÜD Industrieservice GmbH

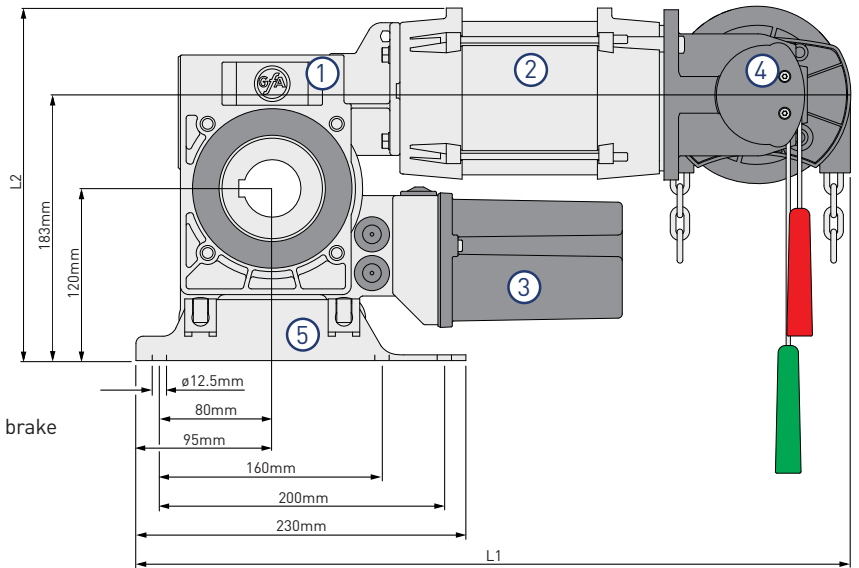


Control Panel Connections

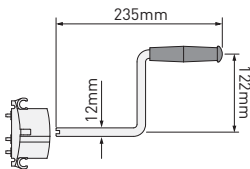
All Safedrives® are compatible with the full range of GfA digital control panels.



1. Gearbox with built in safety brake
2. Motor
3. Limit switches
4. Hand chain mechanism
5. Floating foot

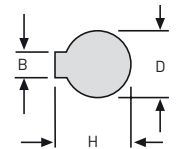


Hand Crank Option

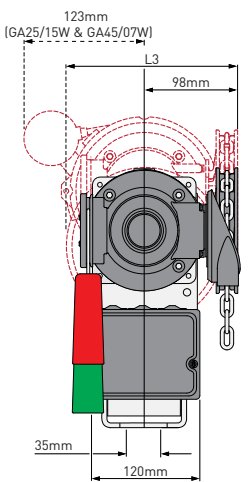


Shaft Detail (nominal) & Other Dimensions

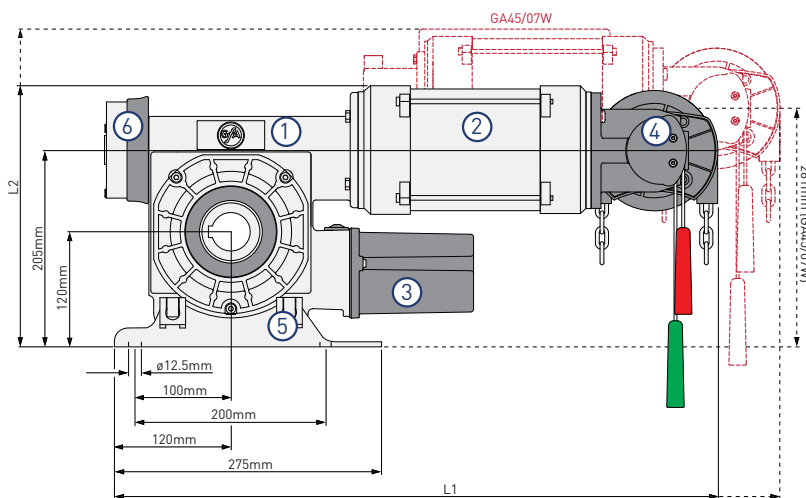
	D (mm)	H (mm)	B (mm)	L1 (mm)	L2 (mm)
GA 17/15	30	33.3	8	510	244
GA 25/15	30	33.3	8	523	254



GA25/15W, GA25HC/15, GA35/15, GA45/15, GA45/07W, GA55/15 & GA65/10

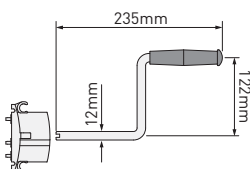


GA25/15 and GA45/07W
Are single phase units



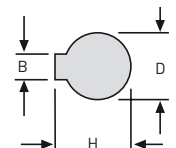
1. Gearbox with built in safety brake
2. Motor
3. Limit switches
4. Hand chain mechanism
5. Floating foot
6. Electric Brake (GA25HC/15, GA55/15 & GA65/10).

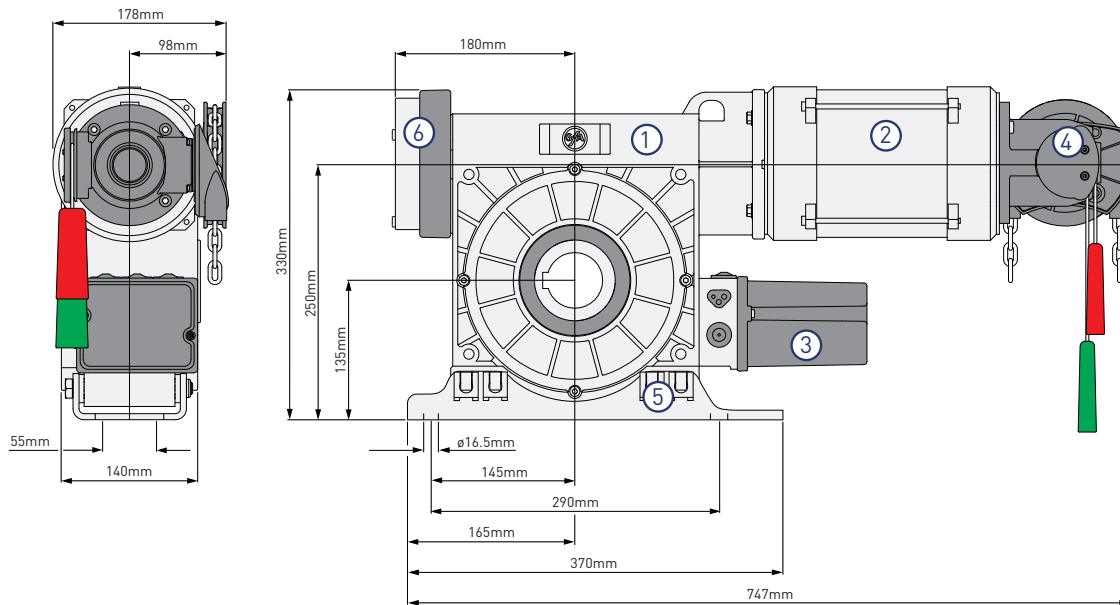
Hand Crank Option



Shaft Detail (nominal) & Other Dimensions

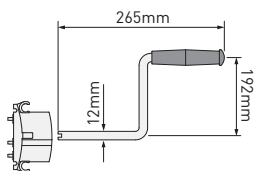
	D (mm)	H (mm)	B (mm)	L1 (mm)	L2 (mm)	L3 (mm)
GA 25/15W	30	33.3	8	606	281	172
GA25HC/15	30	33.3	8	587	271	164
GA45/07W	40	43.3	12	704	337	172
GA35/15 & 45/15	40	43.3	12	630	271	164
GA55/15 & 65/10	40	43.3	12	632	282	174





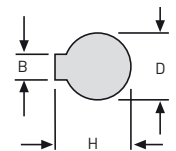
1. Gearbox with built in safety brake.
2. Motor.
3. Limit switches.
4. Hand chain mechanism.
5. Floating foot.
6. Electric brake

Hand Crank Option

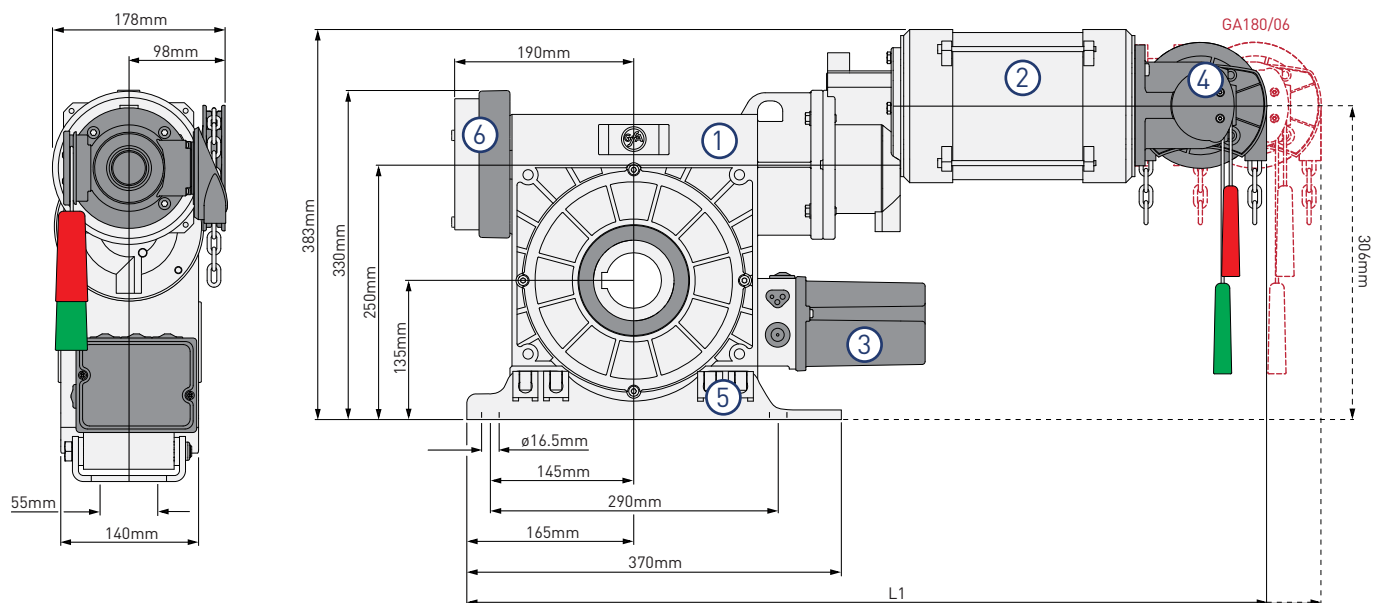


Shaft Detail (nominal) & Other Dimensions

	D (mm)	H (mm)	B (mm)
GA 85/10 & 100/10	55	59.3	16

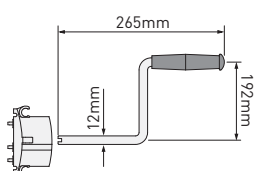


GA140/07 & GA180/06



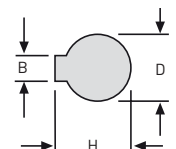
1. Gearbox with built in safety brake. 2. Motor. 3. Limit switches. 4. Hand chain mechanism. 5. Floating foot. 6. Electric Brake.

Hand Crank Option



Shaft Detail (nominal) & Other Dimensions

	D (mm)	H (mm)	B (mm)	L1 (mm)
GA140/07	55	59.3	16	820
GA180/06	60	64.4	18	895



Technical Specification

Model		Safedrive	Safedrive	Safedrive	Safedrive	Safedrive	Safedrive	Safedrive
Part Ref.		GA17/15	GA25/15	GA25HC/15	GA35/15	GA45/15	GA55/15	GA65/10
Output torque	Nm	170	250	250	350	450	550	650
Output speed	rpm	15	15	15	15	15	15	10
Motor power	kW	0.40	0.55	0.67	1.1	1.1	1.1	1.1
Supply voltage	V	3x400/PE	3x400/PE	3x400/PE	3x400/PE	3x400/PE	3x400/PE	3x400/PE
Motor rated current	A	2.2	2.5	2.5	3.0	3.0	4.2	4.9
Frequency	Hz	50	50	50	50	50	50	50
Supply fuse (slow blow)	A	10	10	10	10	10	10	10
Locking Torque	Nm	510	510	635	1020	1170	1400	1660
Safety brake approval no.		TorFV4/024	TorFV4/025	TorFV4/025	TorFV4/025	TorFV4/025	TorFV4/025	TorFV4/025
Max. hand override force	N	80/89	118/132	190/94	115/66	130/75	320/158	337/195
Max movements per hour	H ⁻¹	20	20	30	16	12	16	10
Limit switch capacity	Turns	20	20	20	20	20	20	20
Protection		IP65	IP65	IP65	IP65	IP65	IP65	IP65
Weight	Kg	19	22	28	32	32	34	36
Hollow shaft diameter	mm	30	30	30	40	40	40	40

Model		Safedrive	Safedrive	Safedrive	Safedrive	Safedrive	Safedrive
Part Ref.		GA85/10	GA100/10	GA140/07	GA180/06	GA25/15W	GA45/07W
Output torque	Nm	850	1000	1400	1800	250	450
Output speed	rpm	10	10	7	6	15	7
Motor power	kW	1.10	1.30	1.10	1.30	0.75	0.75
Supply voltage	V	3x400/PE	3x400/PE	3x400/PE	3x400/PE	1x230/N/PE	1x230/N/PE
Motor rated current	A	4.9	6.5	4.1	6.5	8.0	8.0
Frequency	Hz	50	50	50	50	50	50
Supply fuse (slow blow)	A	16	16	16	16	16	16
Locking Torque	Nm	2840	2840	2840	4445	635	1170
Safety brake approval no.		TorFV4/026	TorFV4/026	TorFV4/026	TorFV4/026	TorFV4/025	TorFV4/025
Max. hand override force	N	320/260	342/282	263/212	348/281	85/95	78/87
Max movements per hour	H ⁻¹	14	12	10	7	14	8
Limit switch capacity	Turns	20	20	20	20	20	20
Protection		IP65	IP65	IP65	IP65	IP65	IP65
Weight	Kg	60	55	55	60	27	31
Hollow shaft diameter	mm	55	55	55	60	30	40



GfA ELEKTROMATEN UK Ltd
 Unit 1, Titan Business Centre,
 Spartan Close, Warwick, UK. CV34 6RR

Tel: (+44) 01926 452 452
 Fax: (+44) 01926 336 417
 Email: sales@gfa-elektromaten.co.uk