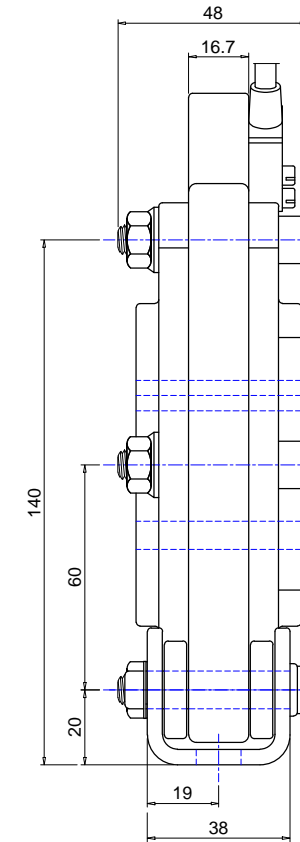


Type	Max Operation Speed	Min Check Speed
RSB1-30	22 r/min	113 r/min
Operation Torque	Max Check Moment	No xxxxxxxxxx
365Nm	1444Nm	

Note:  
Once the safety brake has found to be triggered, it is highly recommended to replace the unit to prevent further problems



This drawing is the property of ELLARD LTD, it may not be reproduced without the written authorization of Ellard Limited. All intellectual property rights are expressly reserved



Roundthorne Industrial Estate  
Ellard House, Floats Road  
Wythenshawe, Manchester  
M23 9WB  
Tel: 0161 945 4561, e-mail: technical@ellard.co.uk

Title

GENERAL DETAIL FOR  
RSB 1-30 SAFETY BRAKE  
(RSB1\2)  
Stock Code:16096

Rev/Notes

Date 03/03/2022

Drawn by DE Chk'd by AP

Drg # RSB-1/2 Safety Brake General Detail